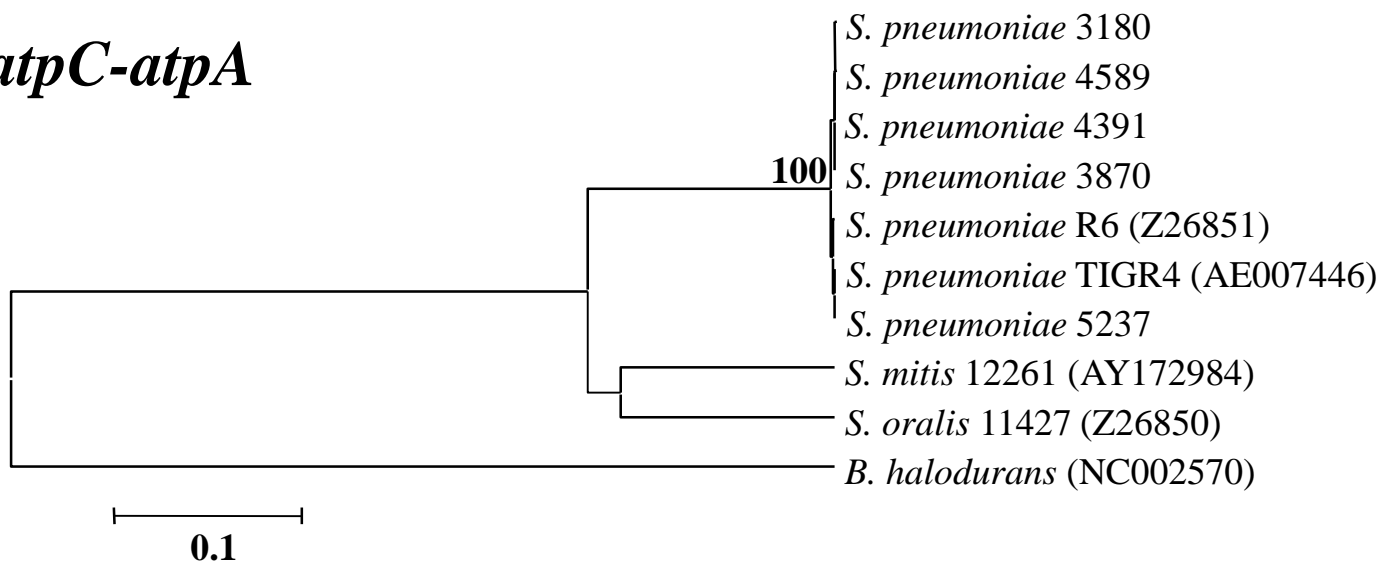
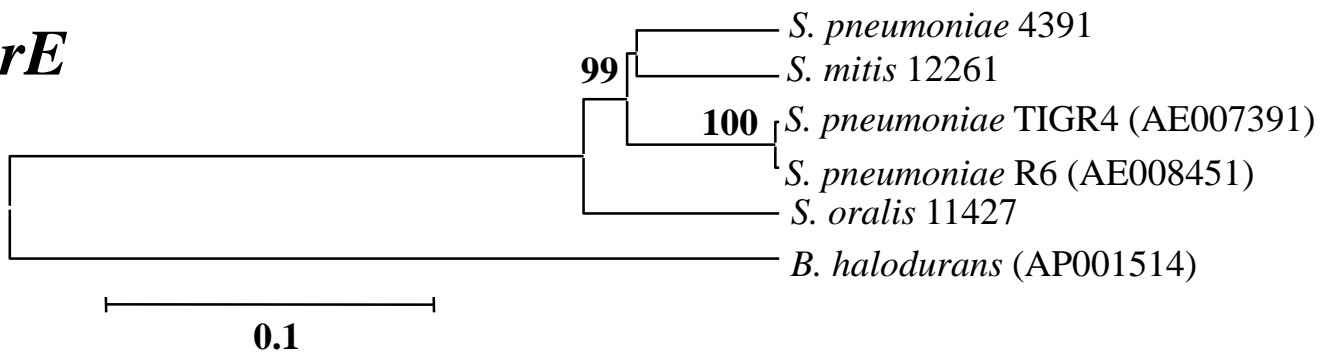


*atpC-atpA*



*parE*



*ant*

